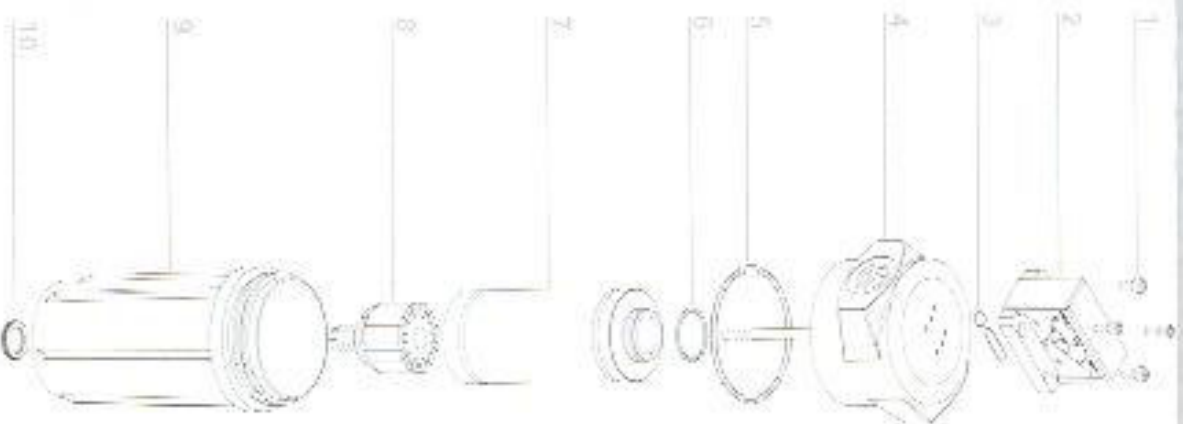
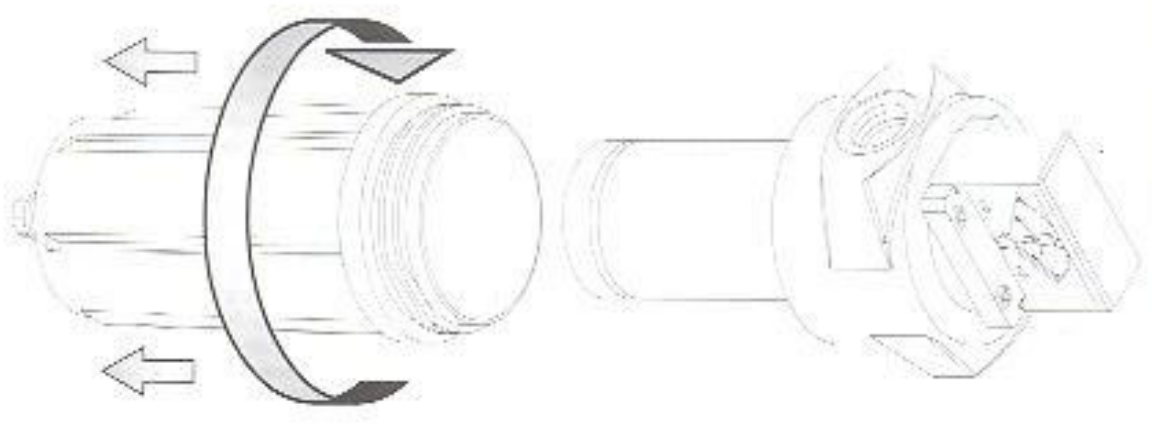


# DESCRIPTION

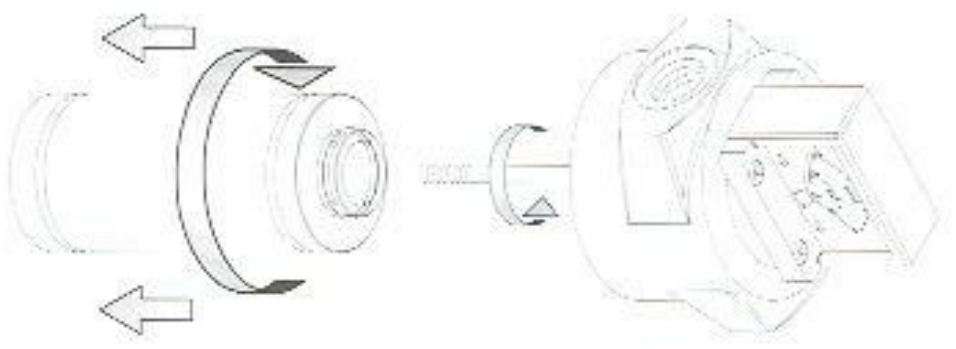
- 1 Bolts of the Pressure Gauge  
Part # W5x12
- 2 Differential Pressure Gauge  
G24-G100> MPUG-02 G100-G2210 MPKG-01
- 3 Gauge O-Rings  
Part # 13x2.5 / 19x2.5
- 4 Head of the Compressed Air Filter
- 5 O-Ring for the Head  
Part # G24-48 ( 50x3 )  
Part # G25-50-100 ( 72x4 )  
Part # G150-200-250-300-509-600 ( 93x5 )  
Part # G651-1210 ( 130x5 )  
Part # 1510-1810-2210 ( 192x6 )
- 6 O-Ring of the Element  
Part # M24-48 ( 15,6x1,78 )  
Part # M25-50-100 ( 26,06x2,62 )  
Part # M150-200-250-300-500-600 ( 32,2x2,62 )  
Part # M851-1210 ( 56,74x3,53 )  
Part # M1510-1810-2210 ( 125x3,53 )
- 7 Element
- 8 Automatic Drain  
WOD/118FM-318M
- 9 Compressed Air Filter Bowl
- 10 Automatic Drain Nut



3



4



# COMPRESSED AIR FILTERS



## INSTALLATION

- 1 To get optimum utility (there must be a suitable connection that fits to the inlet and outlet piping).
- 2 Cut the air supply and discharge reminder air.
- 3 Control the filter's height with respect to the annotations set forward in the catalogue. (See Dimension 'D' on the 1st page).
- 4 The filters must always be mounted in a vertical position.
- 5 Connect the housing to the system, paying attention to the arrow, which shows air outlet.
- 6 Check the filter body making sure that it is correctly fastened.
- 7 Connect the system to the air supply and check the parts under pressure.

### TECHNICAL SPECIFICATIONS

Maximum Working Pressure (bar/g)	15
Maximum Working Temperature (°C)	80
Minimum Working Temperature (°C)	2
Capacity of the Housing (m3/h)	

## MAINTENANCE

- 1 Filter elements must be replaced when the differential pressure indicator turns from green to red. Nevertheless, it should be replaced once a year.
- 2 Cut the air supply and discharge the filter.
- 3 Pull out the body of the housing by turning counterclockwise. (See page 3).
- 4 Take out the dirty element by turning counterclockwise. Check the fastening of the tie rod, as it may be loose. (See page 4).
- 5 Check the new o-ring on the new element and install by turning clockwise on the tie rod. Please do not tighten the element too much as the tie rod may get stuck in it.
- 6 Check the o-ring in the head of housing. Replace if necessary.
- 7 Clean and lubricate the threads of the body before installation.
- 8 Connect the system to the air supply to check for any leakages.