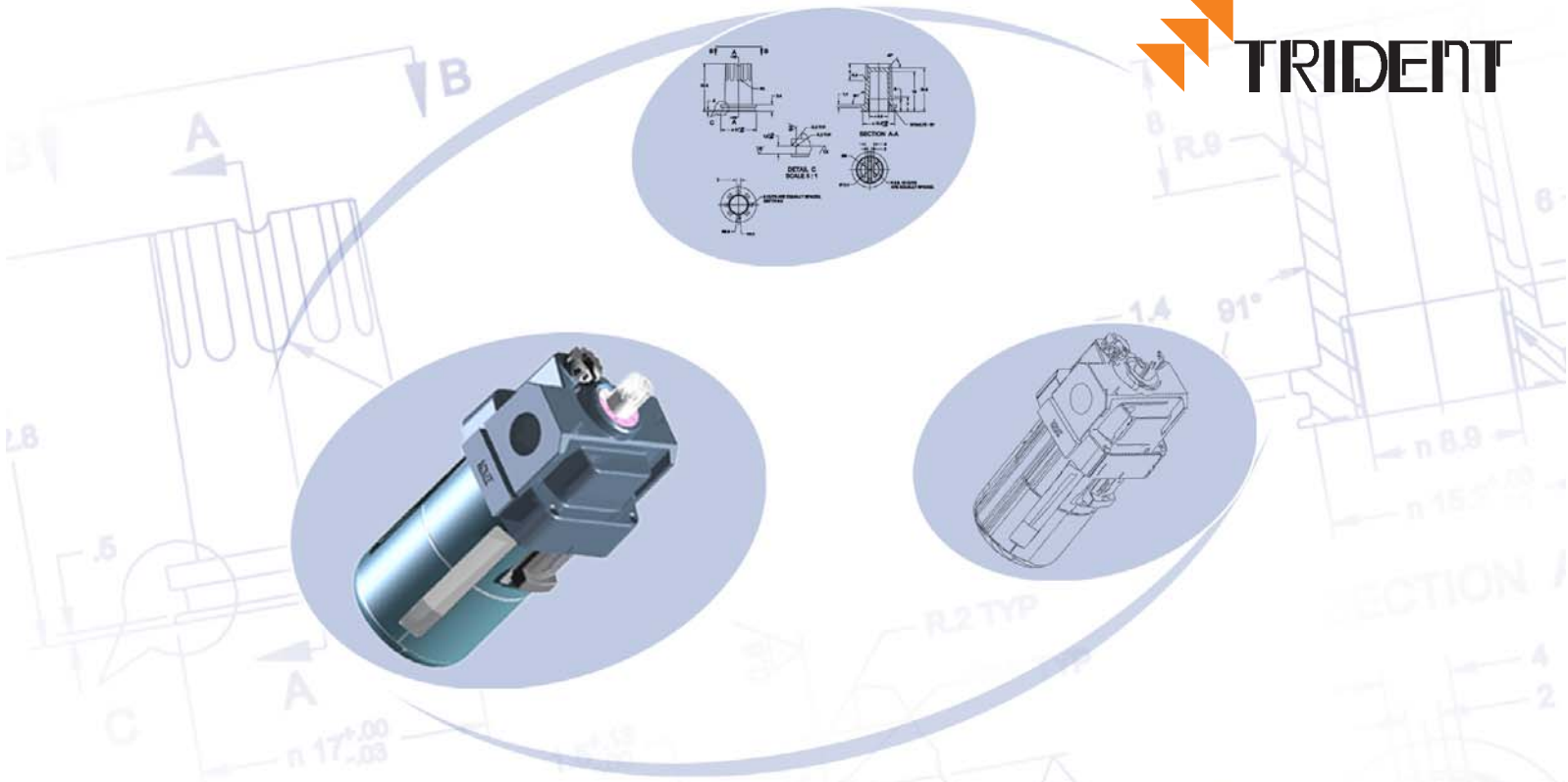




Engineering services



Leverage the cost structure of the Indian economy to enhance your engineering team **Trident**, a Coimbatore (India) based company, provides affordable CAD and drafting services to US and Global clients from our facility in Coimbatore, India.

### Drafting Services

**Trident** understands the needs of smaller engineering teams and empowers them with CAD and drafting outsourcing services that really work.

We offer personalized relationships and flexible options for workflow integration, overlap hours, and real time communication. We custom-build a collaboration model that works for you. We specialize in providing CAD and drafting services to firms in the fields of **Mechanical Engineering**.

### CAD Services

Now more than ever before, compact engineering teams are expected to produce more with less manpower. But certain activities can bog them down: time-consuming preparation of manufacturing drawings from 3D models, maintenance of bills of materials, and handling of engineering change notices. These are relatively straightforward tasks that could be outsourced to a reliable partner, but at domestic prices it doesn't make sense. Trident delivers a flexible offering of CAD and design services in AutoCAD, Auto Desk Inventor, Solid Edge, Pro/E

and Uni-Graphics. Whether you use us periodically for bulk jobs, or as an integral part of your engineering team, our experienced engineers are a cost-effective resource for quality, timely results.

### CAD Conversion

Whether you have a hand-drawn sketch, a printed drawing, a pdf file, a tiff file or any format imaginable, Trident has the tools and CAD experience required to digitize and convert from large format media or blue prints into AutoCAD, Auto Desk Inventor, Solid Edge, Pro/E and Uni-Graphics and other CAD file formats.

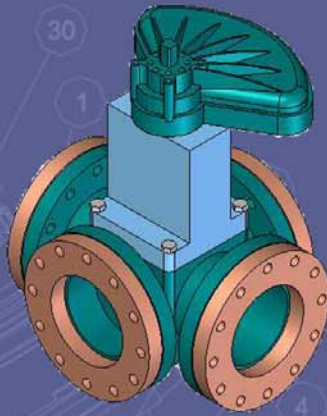
### Design Security Policy

We treat the data received from our clients as most valuable & for our designers, access to the content is limited only to the extent it is necessary to execute the job. The folders are also coded for specific clients & the origin of the data & only top-level team leader knows its complete utility.

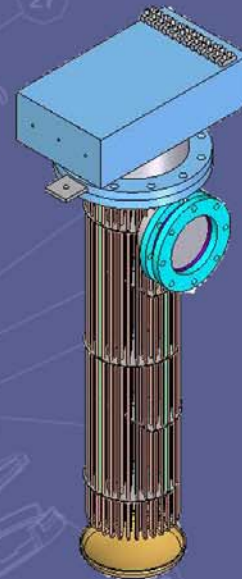
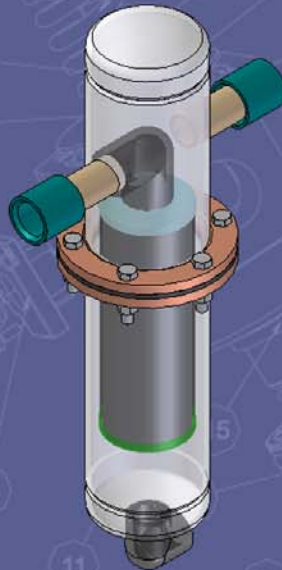
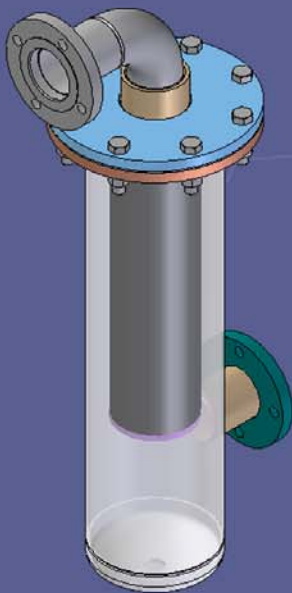
Till date we have been successful in maintaining the trust of our major clients because we give due importance to this necessity.

### Mechanical CAD Services

Trident has a team of mechanical engineers who have worked as a team for more than 2 years serving the US industry as well as global clients and



# Portfolio



we are more than equipped to handle your design and drafting needs for the mechanical industry. Whether you are looking for outside help during crunch time or looking for a reliable CAD outsourcing partner, Trident is your right choice. We can help you with:

- Drafting and detailing
- 3D modeling and assembly
- 2D to 3D Conversion
- Preparation of production (manufacturing) drawings
- Parts lists and bill of materials
- Handling ECN's (Engineering Change Notices)
- Higher-level CAD tasks
- Testing Services

(Functional, Environmental and Reliability)

- AutoCAD, Auto Desk Inventor, Solid Edge, Pro/E and Uni-Graphics.

## Summary

The reliability of your company coupled with the cost advantage of the Indian talent pool makes **Trident** your natural choice for CAD services! For more information about our drafting services, CAD conversion, outsourcing your CAD project or for any other questions regarding the CAD services we request you to contact us.

