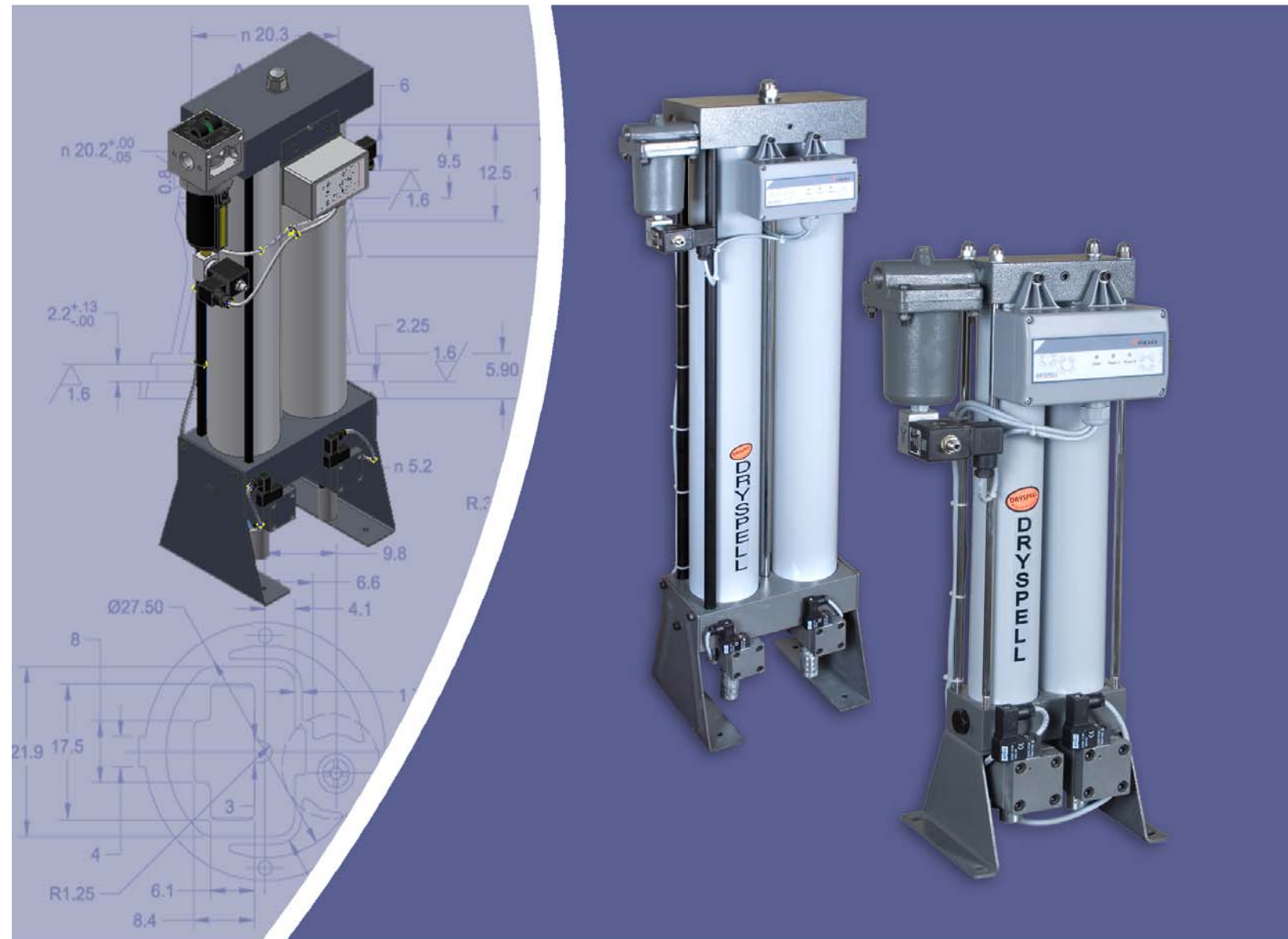


## Lasting Values



## Desiccant Compressed Air Dryers

### Dryspell

- Microprocessor Controller
- Pre-filter rating 0.3 microns (coalescer)
- Shuttle valve for Low Pressure drop
- All Aluminium resist oxidation & scale formation
- Dewpoint better than  $-40^{\circ}\text{C}$

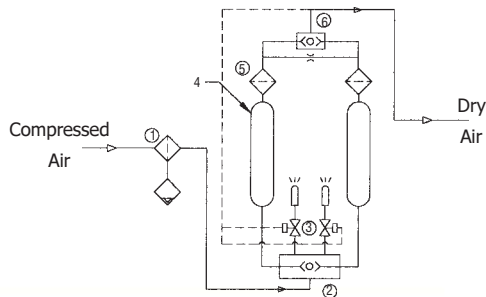
CE

**NQA**  
ISO 9001 : 2000



India's Largest Exporter of Compressed Air Treatment Products

**Dryspell Desiccant Dryer offers total cleaning solution for lubricated as well as non-lubricated compressed Air.**



- 1. Pre-filter
- 2. Inlet shuttle valve
- 3. Exhaust valve
- 4. Desiccant tower
- 5. After filter
- 6. Outlet shuttle valve

**Principle of Operation**

**Drying Cycle :** Moist air from the compressor is sent through the coalescing filter. Here water & oil coalesces, gets purged through the auto drain valve.

The relatively clean air with water vapour passes through the aluminum drying tower filled with desiccant gets completely dried (upto -40°C dew point) and then passes through a built in after filter. The desiccant fines from the towers are completely removed and clean dry air is let out through the outlet port for use.

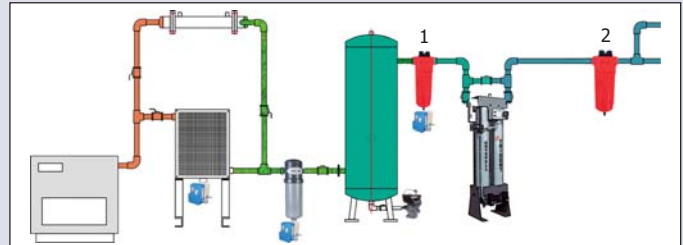
**Regeneration Cycle :** During the regeneration cycle. The sudden depressurisation brings out water molecules trapped in the Desiccant pores to the surface of the beads. A small portion dry compressed air from the drying TOWER then passes over the desiccant through the regeneration orifice built in the Top Block. This results in complete regeneration of the Desiccant.

**Typical Application**



- Paint spray booths
- Tool, Valve, Cylinder protection
- Food packaging machine
- Auto Garage
- Textile & Garment
- SPM
- Instrumentation

**Recommended Installation**



**Specifications**

- Maximum Working Pressure 16 kg / cm<sup>2</sup>
- Air Inlet Condition Maximum Fluid Temperature 45°C
- Pre-filter rating 0.3 Microns (Coalescer)
- Cycle Time 4 Minutes
- Regeneration Volume 10%
- Air Outlet Conditions Dry air at -40°C Dew Point
- Operating Voltage 230 V 50 hz 1 Ph

Model	Flow cfm	End Connection BSP	Dimensions (mm)			Weight KGS	Recommended Accessories	
			H	W	D		Pre filter (1)	Post filter (2)
Dryspell 5	5	1/2"	390	280	200	9	G 24 P	G 24 Y
Dryspell 10	10	1/2"	600	280	200	11	G 24 P	G 24 Y
Dryspell 20	20	1/2"	1015	280	200	16	G 100 P	G 100 Y
Dryspell 30	30	1/2"	810	350	260	28	G 100 P	G 100 Y
Dryspell 45	45	1/2"	1055	350	260	34	G 100 P	G 100 Y
Dryspell 60 A	60	3/4"	1250	350	285	43	G 100 P	G 100 Y
Dryspell 100	100	1"	1540	415	300	81	G 250 P	G 250 Y

**Manufacturing Facility**



**Our Presence**



**Trident Pneumatics Pvt Ltd**

5/232, K.N.G. Pudur Road, Coimbatore - 641 108, India.  
Ph : +91-422-2400492 Fax : +91-422-2401376

**Trident Pneumatics Pvt Ltd**

Shanghai, China.

**Trident Pneumatics Sdn Bhd**

Selangor, Malaysia.

e-mail : [sales@tridentpneumatics.com](mailto:sales@tridentpneumatics.com) Website : [www.tridentpneumatics.com](http://www.tridentpneumatics.com)

**Sales & Service Outlets**

- Ahmedabad 98259 26342
- Baroda 98795 16299
- Bangalore 98450 93322
- Chennai 98400 97782
- Delhi 98113 10726
- Hyderabad 98854 45321
- Kolkatta 24599155
- Mumbai 25434551
- Pune 27471877

**Our other Range of Products**

- Time based Auto Drain Valve
- Level Sensing Auto Drain Valve
- Refrigeration Dryer
- Blower Reactivated Dryer
- Submicron Filter

